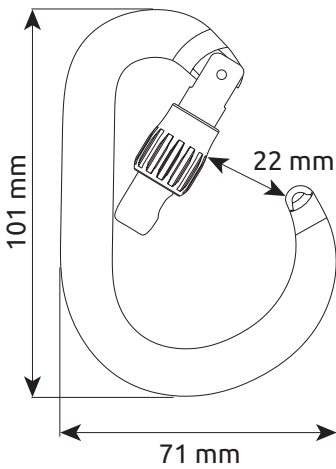


A compact aluminum alloy carabiner with a large gate opening thanks to the circular symmetrical body. SphereLock closure prevents snagging during use and increases safety. Screw gate locking system with closure indicator.



Ref.	Product name	Weight								CE		EAC
		g	oz	kN	kN	kN	mm	mm	mm	EN 12275	EN 362	
2927	NIMBUS LOCK	69	2.4	21	9	6	22	101	71	H	B	