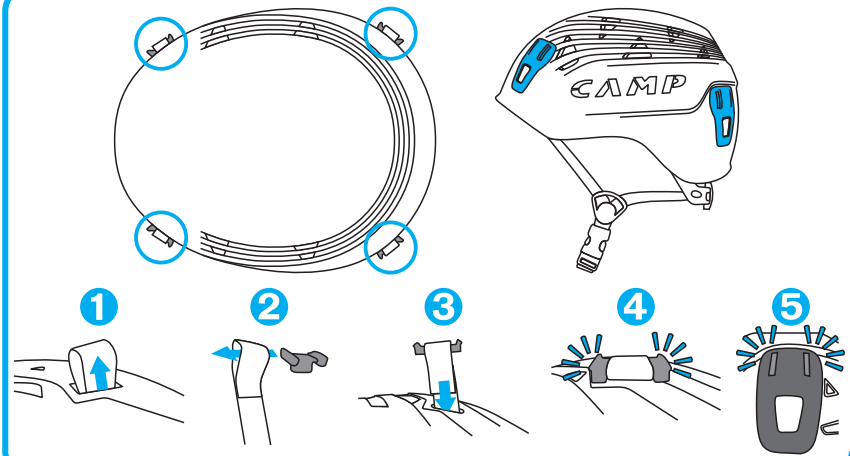


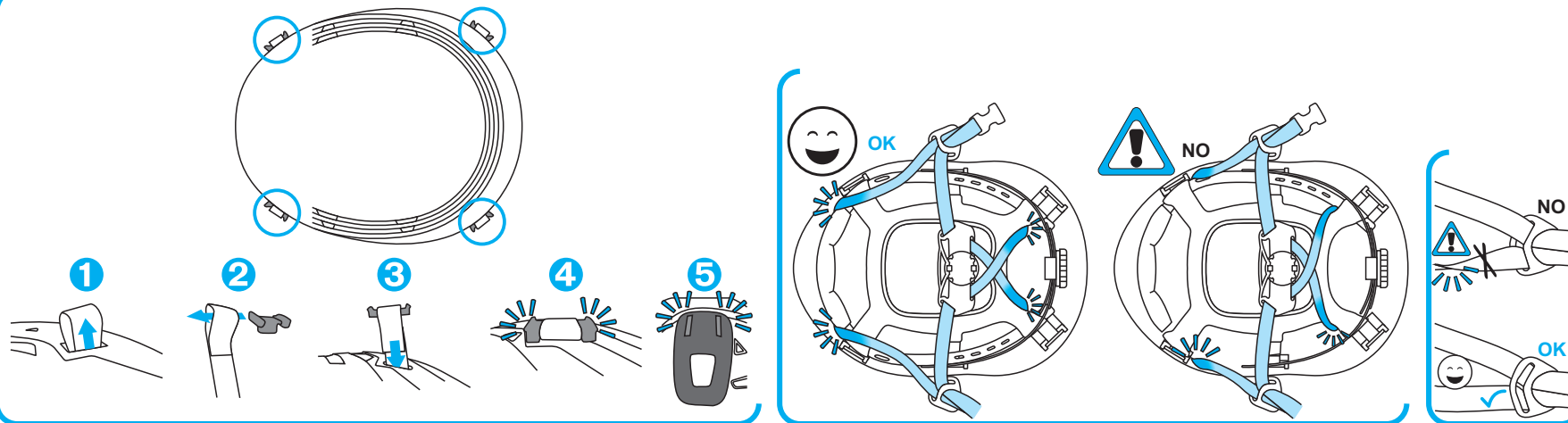
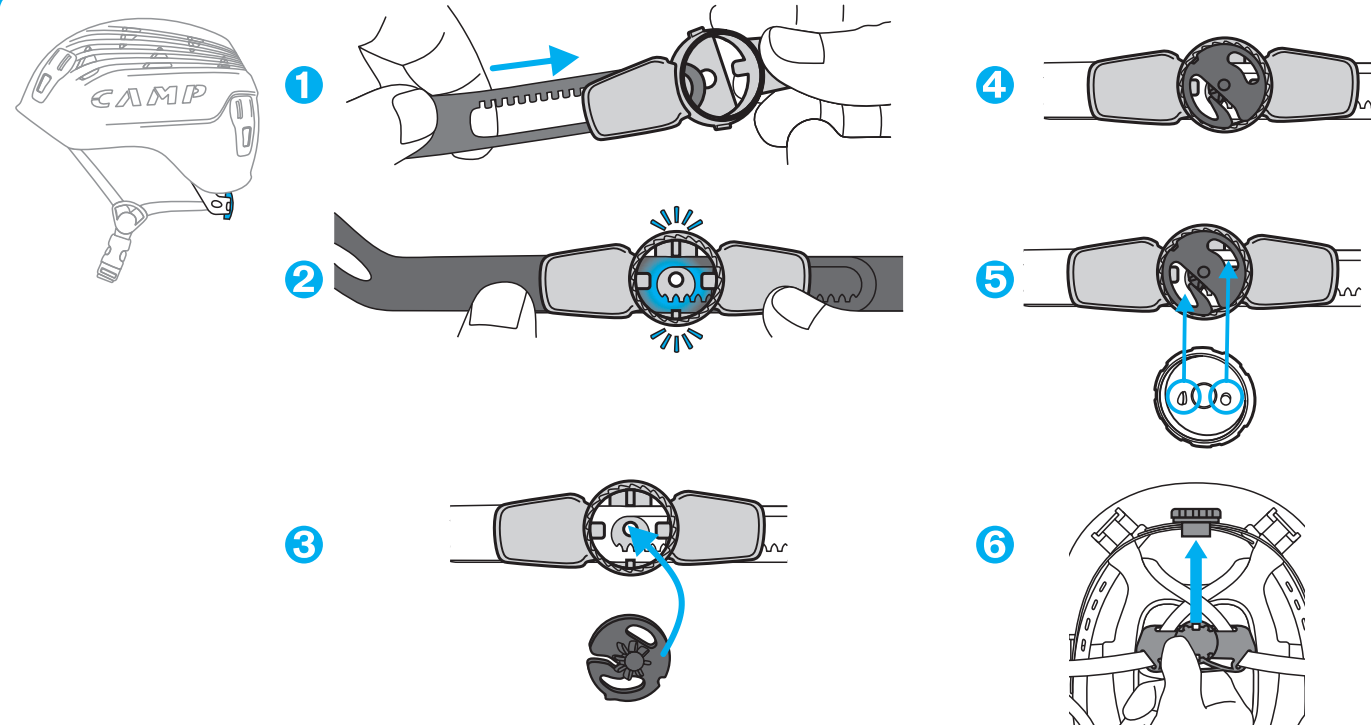
REF. 2718 - 2719

PORTALAMPADA - HEADLAMP HOLDER - PORTE-FRONTALE  
LAMPENHALTER - CLIPS PARA LINTERNA



REF. 2716 - 2717

KIT FETTUCCE - CHIN STRAP KIT - RIEMEN-SET - KIT CINTAS - KIT SANGLES



CAMP

HELMETS



TITAN

KIT RICAMBI  
SPARE PARTS  
KIT DE RECHANGE  
ERSATZTEILE-SET  
KIT DE REPUESTOS



November 2016 - Rev. 0 © C.A.M.P. S.p.A.



is a brand owned by CAMP SPA

CONCEZIONE ARTICOLI  
MONTAGNA PREMANA

Via Roma 23, 23834 Premana (LC)

ITALY

Tel. +39 0341 890117

Fax +39 0341 818010

www.camp.it

contact@camp.it

