

2154 - TETHYS

A compact and lightweight pulley with movable flanges and a large connection point that accommodates two carabiners.

For ropes up to 13 mm. Prusik minding, the self-locking knot can be installed on both sides. Self-lubricated bushings are perfect for light applications at low speed.

Efficiency: 80%.

Aluminum alloy body and wheel, stainless steel axle.

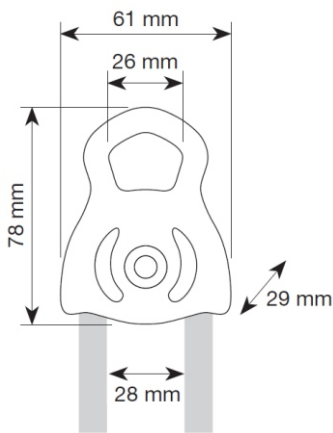
CE EN 12278

GENERAL

SELF RESCUE



MBL 24 kN WLL 4 kN



Large connection point that accommodates two carabiners

Movable flanges

TETHYS BLACK
215403

BLACK LINE



Self-lubricated bushings

Prusik minding, the self-locking knot can be installed on both sides

